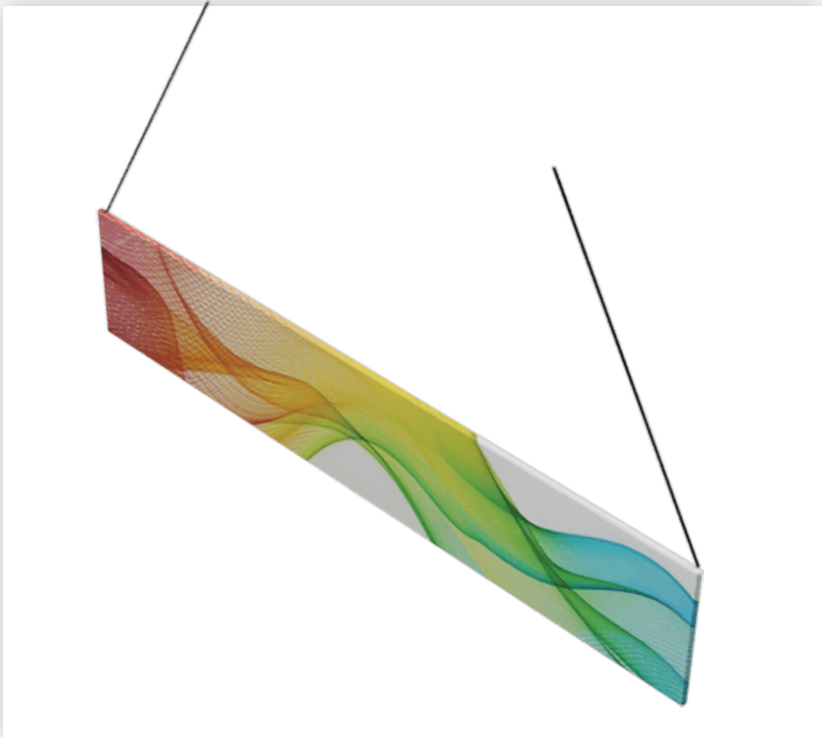
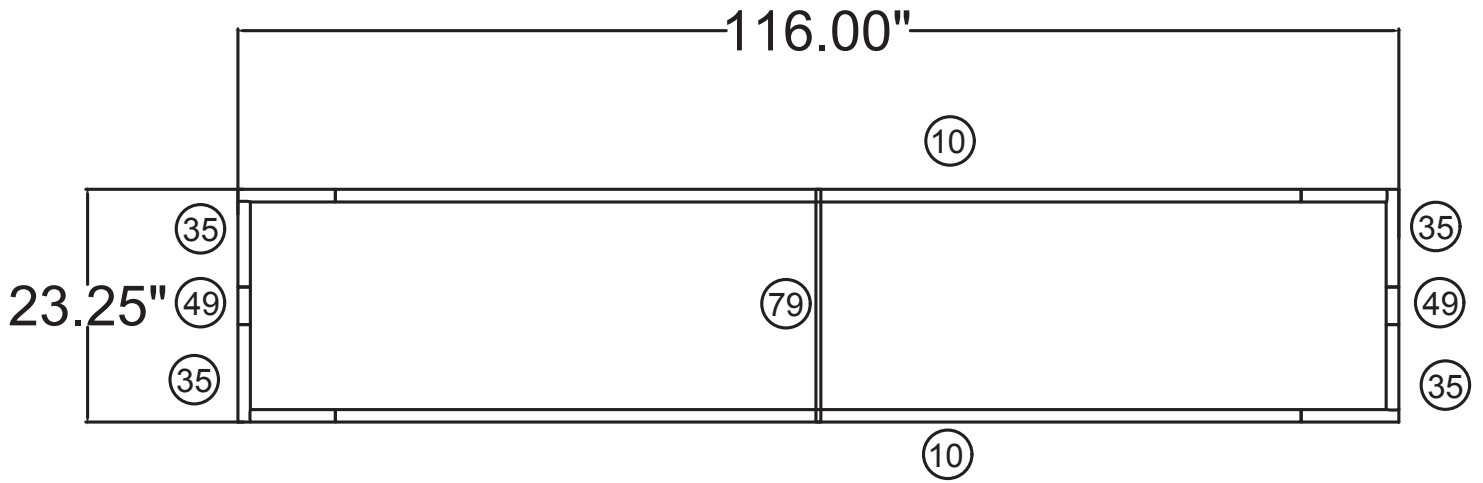


WAVELINE®

10'w x 2'h WL Hanging Sign



FHS1024

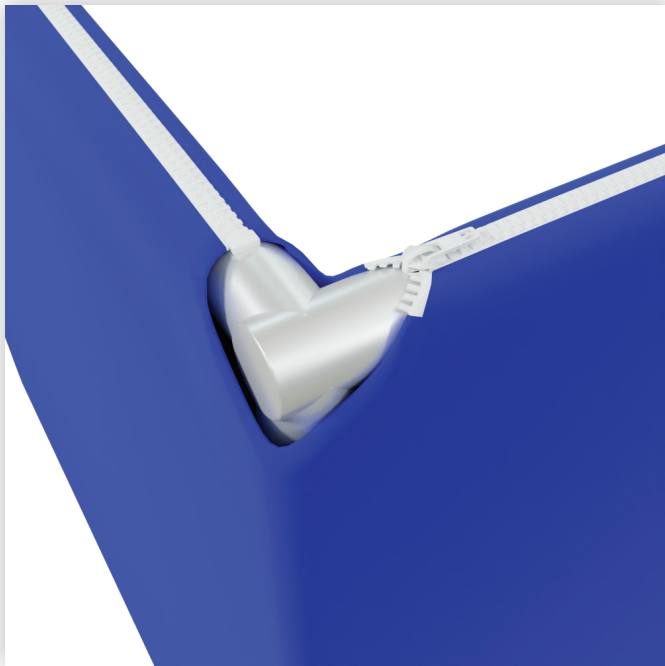
| 10'w x 2'h WL Hanging Sign | |
|----------------------------|-------------|
| Qty. | Part Number |
| 4 | WLM#035 |
| 2 | WLM#049 |
| 1 | WLM#079 |
| 2 | WLM#010 |
| 1 | BGO BAG-L |

Notes:

- * Does not include Hanging Cables
- * will fit inside CA600 or CA900 case

WAVELINE®

Hanging Sign Rigging Instructions



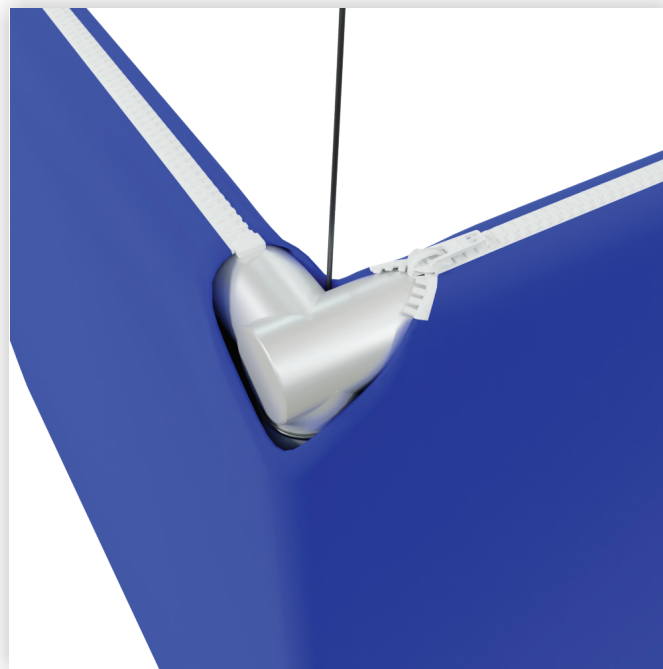
Step 1

After assembling the sign, locate the hanging points. There are openings on the zipper to allow for cables to be inserted



Step 2

Open the zippers to expose the hanging area, then wrap the cables around the vertical support pole



Step 3

Pull the cable through the opening in the fabric. Close the zippers.

*Hanging cables are not included in the kit, to be provided by on-site rigging team.