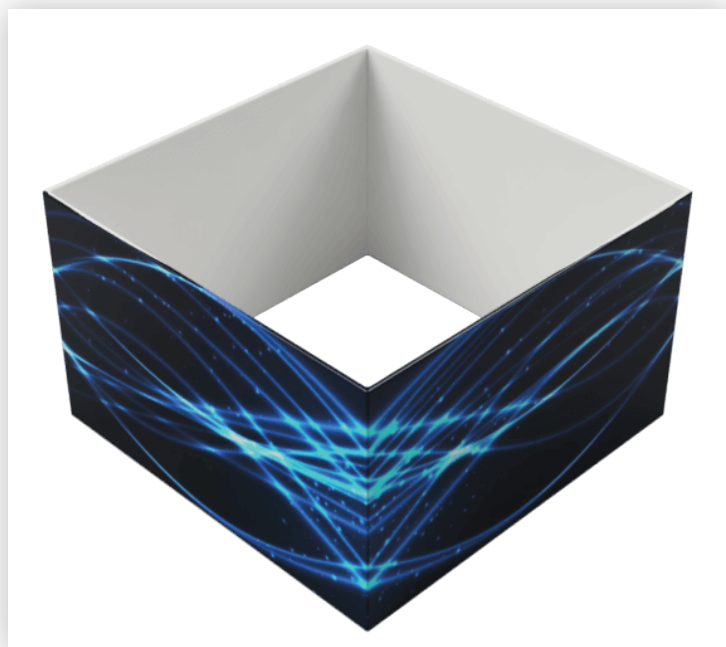
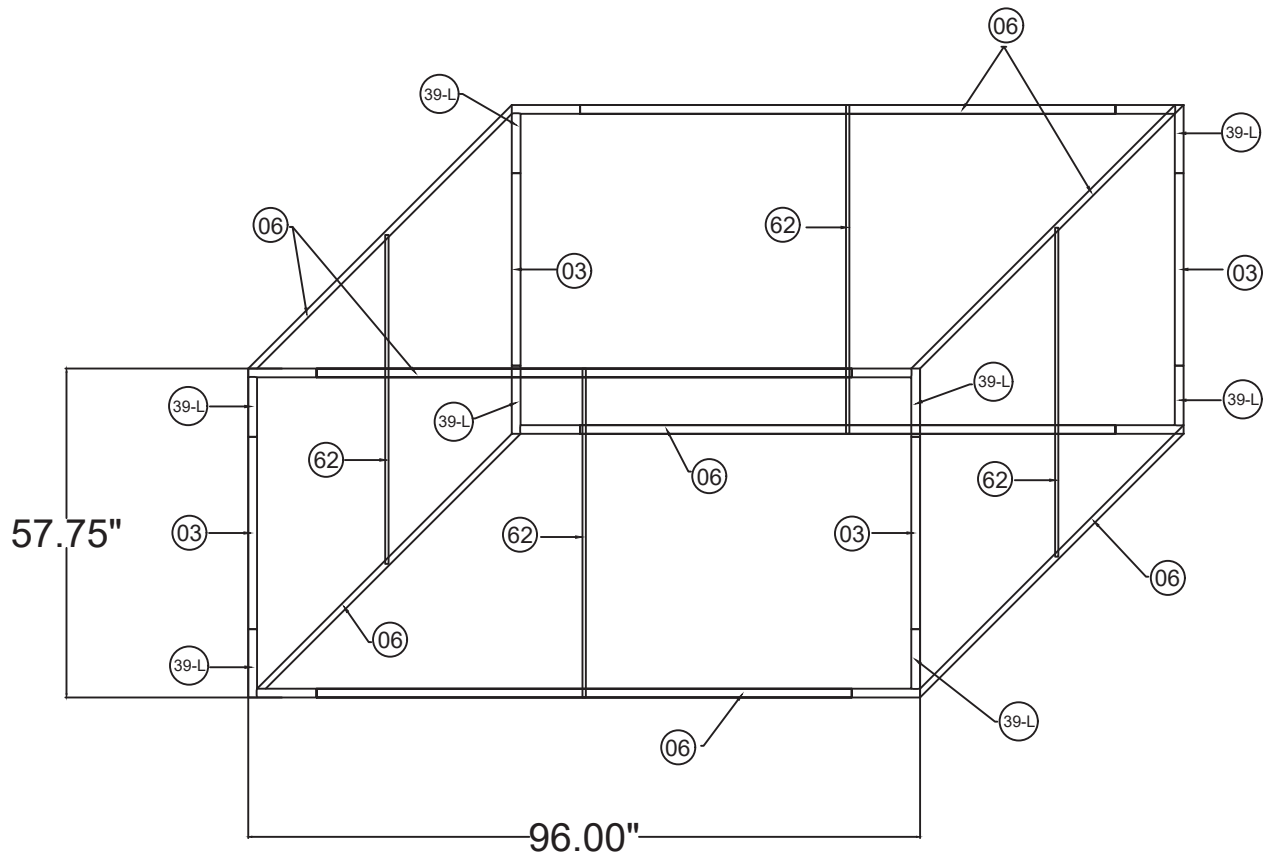


# WAVELINE®

## 8'w x 5'h WL Hanging Sign



### SHS0860

| 8'w x 5'h Sq. Hanging Sign |                  |
|----------------------------|------------------|
| Qty.                       | Part Number      |
| 8                          | WLM#039L-US      |
| 4                          | WLM#003          |
| 8                          | WLM#006          |
| 4                          | WLM#062-US       |
| 1                          | BGO-FABRIC-L bag |

**Notes:**

- \* Does not include Hanging Cables
- \* Will fit inside a CA600 or CA900 case

