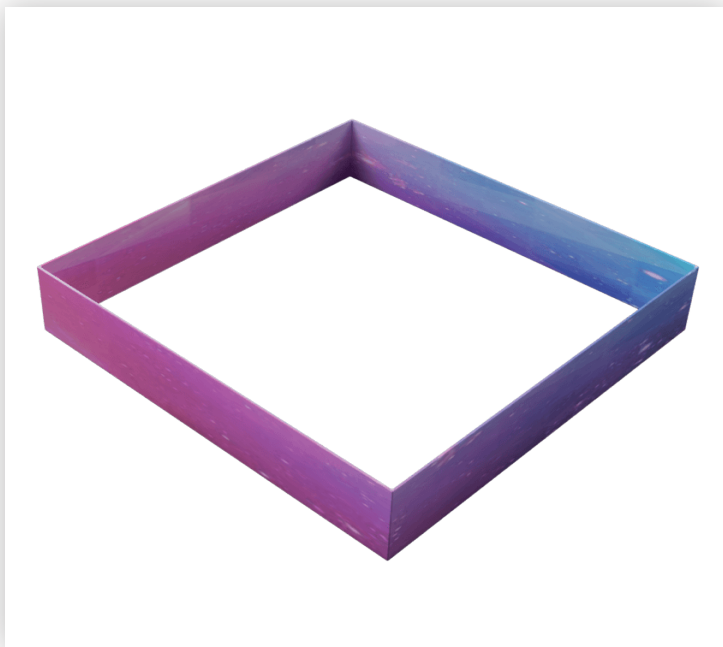
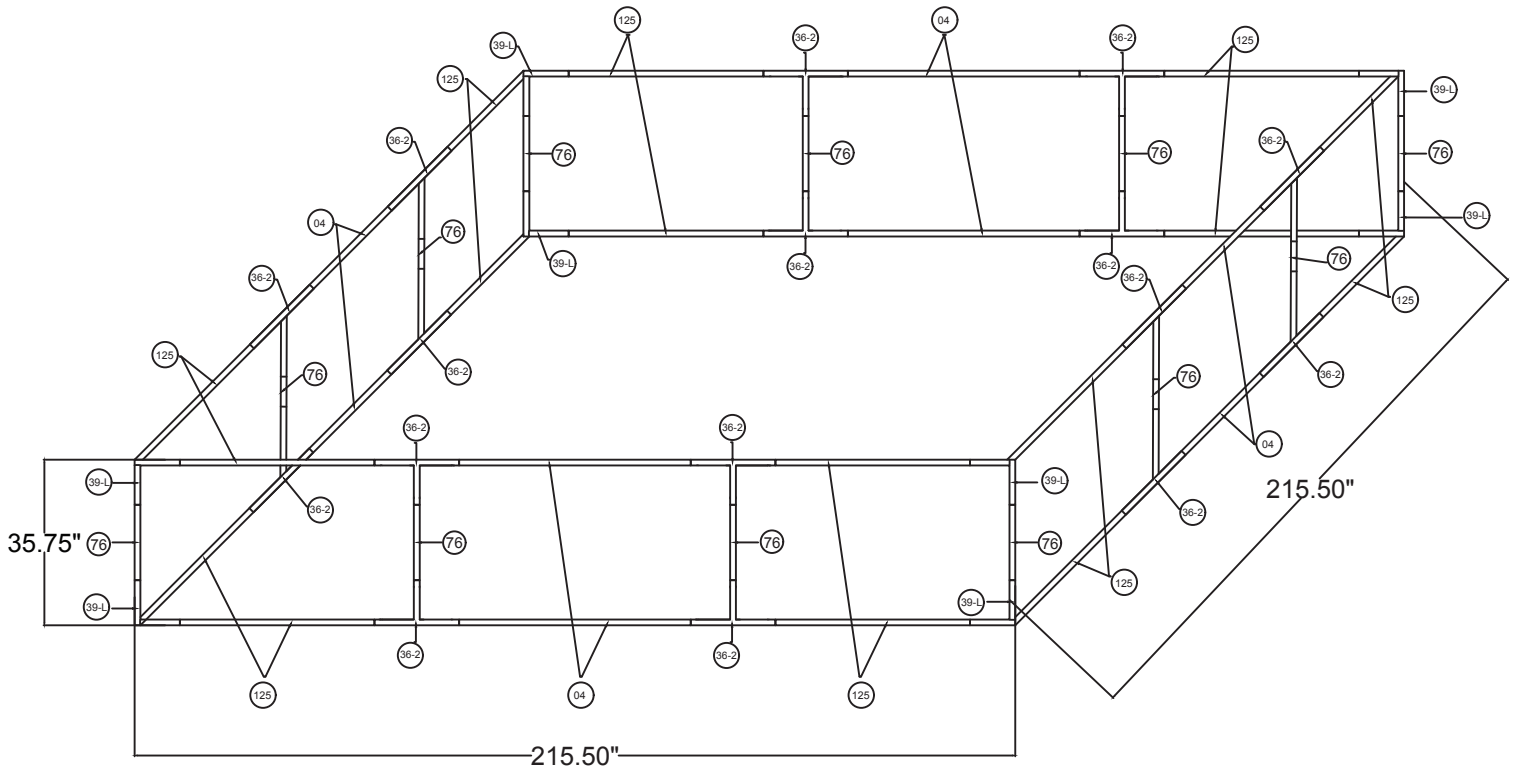


# WAVELINE®

## 18'w x 3'h WL Hanging Sign



### SHS1836

| 18'w x 3'h WL Hanging Sign |                   |
|----------------------------|-------------------|
| Qty.                       | Part Number       |
| 8                          | WLM#039-L         |
| 12                         | WLM#076           |
| 8                          | WLM#004           |
| 16                         | WLM#125           |
| 16                         | WLM#036-2-US      |
| 2                          | BGO-FABRIC-XL bag |

**Notes:**

- \* Does not include Hanging Cables
- \* Will fit inside a CA600 or CA900 case

